

The Better Choice...



Special Features:

- Compact sewing column for optimized space
- Robust design for guaranteed long life cycle
- Customized adaptations:
 - Bag feed-in device
 - Electro-pneumatic fold-over device for folded bag opening
 - Guide rails for flexible positioning of add-ons and improved maintenance
 - Small high-performance bag-closing machine
 - Small belt-type conveyor
 - Movable base for change of location and easier maintenance / cleaning
- Short set-up times due to modular system
- Flexibility due to adaptation to location
- Variety of bag sizes due to motor-driven height adjustment
- Fold-over for min. 8 cm freeboard possible
- User-friendly operation

Optional:

Rotary table

Small belt type conveyor



Quality „Made in Germany“:

The development and production of our small bag-closing unit at our facilities in Möglingen and Sulz contribute to the quality of our products.

Subject to change without notice © Union Special GmbH

Union Special GmbH
Raiffeisenstraße 3
71696 Möglingen, Germany
Tel.:+49 (0)7141/247-0, Fax:+49 (0)7141/247-100
www.union-special.com

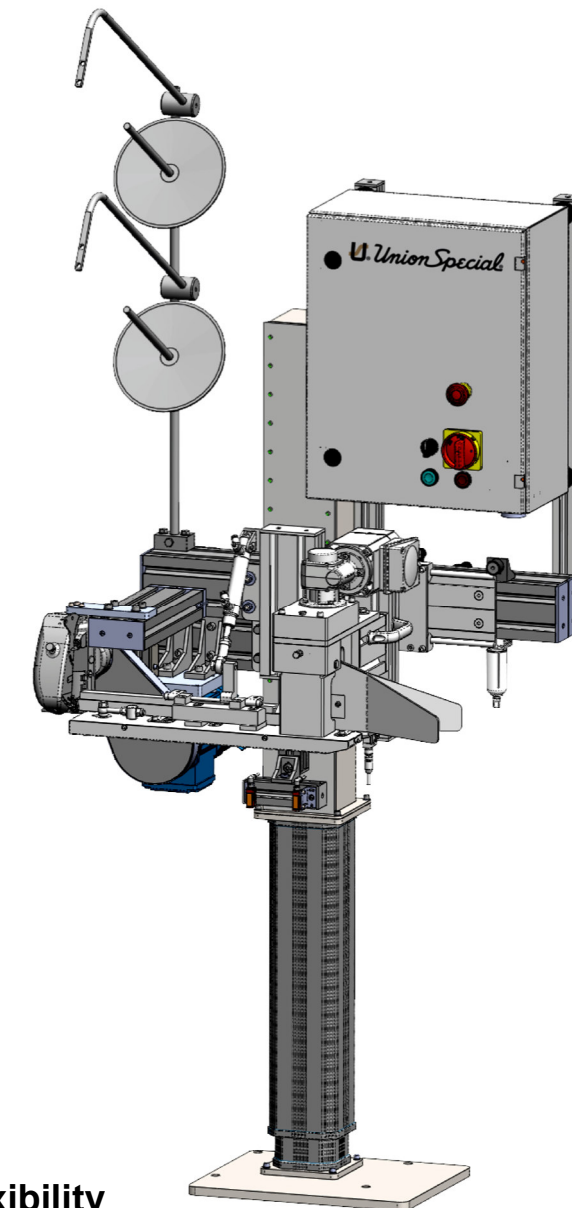


06-22_en

Bag-Closing Unit KBVA for small Bags



The modular design of our new Union Special GmbH **bag-closing unit for small bags (KBVA)** is the new **heart** for packing bulk goods.



Reliability and Flexibility

With increasing volumes the modular design enables you to adapt the KBVA from a manual to an automated bag-closing unit without longer set-up times or extensive adjustments. The modular system allows you to upgrade your unit depending on your requirements.

● **ROBUST** ● **RELIABLE** ● **POWERFUL**



Our **bag closing unit (KBVA) for small bags** presents you with a variable solution for your packaging. No matter whether you increase or alter the quantity or variety. The highest flexibility and adaptability allows you to realize an automated system for closing bags of 0.5 - 12.5 kg bags without any restrictions. The maximum capacity is 200 bags for manual feeding and 400 bags for full automation, depending on bag size.



Working method of KBVA:

The filled bag is fed by a conveyor into the belt-type feed-in device. The latter guarantees a defined feeding of the bags into the sewing machine. The bag opening is folded to the back by a pneumatic fold-over device, mounted on the bag feed-in device. The resulting thread chain behind the sewn bag is trimmed automatically by an electro-pneumatic cutter. All steps such as sewing, folding or cutting the thread chain are detected and controlled by photoelectric sensors.

Due to this full automation you can reduce the workload of your operators and increase your productivity without any restrictions.

1600A:

The sewing **column** is the supporting structure and control unit for the sewing head and additional applications (bag feed-in device, guide rails etc.).

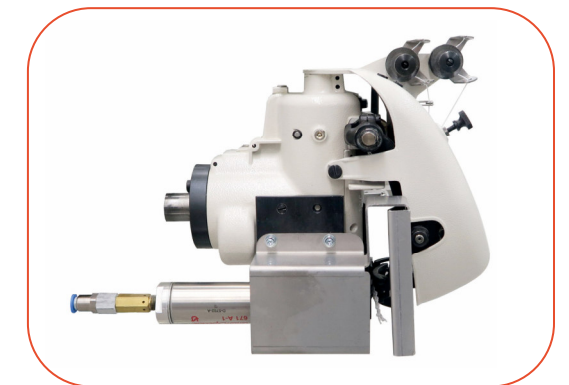
- Telescopic column with motor driven height adjustment, range of adjustment 400 mm (Mounting points all 50 mm, 900 mm to 1300 mm from lower edge column to needle)
- Control box with Siemens PLC for controlling the unit and additional applications.
- Driven by AC drive motor for 220 - 240 V/380 - 415 V, 50 Hz, 0.25 kW IP54.
- Support with slide bearing for easy maintenance.



2200AZ4015FAN:

The two thread bag closing machine with combined top and bottom feed guarantees an even feed and constant stitch length even on difficult materials.

- Equipped with rust-protected sewing parts
- Reliable cutting by horizontal thread chain cutter
- Capacity up to 10 mm
- Adjustable stitch length 7 - 10 mm
- Sewing speed 1200 - 1700 SPM



BF39970A:

The **bag feed-in device** assists the improved feeding of bags in continuous and guaranteed quality with the option of folding the bag opening automatically.

- Equipped with belt drives
- Defined feeding of bag opening
- Electro-pneumatic fold-over device for continuous and guaranteed quality. Frequency controlled speed.

